

# Miggytrac™ B5001

## Compact, programmable tractor



Miggytrac™ 5001

Miggytrac B5001 is a compact and programmable 42V AC tractor. It's driven either by power source or by battery and can easily mechanise your GMAW process and thermal cutting applications where weaving is not required.

B5001 can be used for continuous and intermittent welding. When connected to an ESAB wire feeder with adapter, you can set the voltage and wire feed speed in percent directly from the unit.

Miggytrac's true 4-wheel drive and high-friction wheels guarantee stable movement and operation of the tractor. The carriage follows the weld joint using guide wheels that adjust to allow the unit to drive itself against the workpiece.

Ideal for use with ESAB's GMAW power sources and feeders. A standard ESAB welding torch can quickly attach to the unit.

- Quick set up and easy-to-use
- Forward and backward movement
- Programmable constant travel speed
- Compatible and rechargeable 18V Li-ion battery pack (interchangeable with common Makita power tools)
- Color TFT Display with high visibility in strong light conditions
- Intermittent stitch welds with programmable length and spacing
- End of weld crater and backfill function
- Operating time up to 6h
- Capable of welding on inclined surfaces up to 45°

Visit [esab.com](http://esab.com) for more information.

### Industry

- Bridge Construction
- Industrial and General Fabrication
- Mobile Equipment
- Ship and Offshore Yards
- Ship/Barge Building
- Steel Industry
- Transportation
- Structural Steel Fabrication

# Miggytrac™ B5001

Technical Data	
Battery voltage (battery not included)	Li-ion 18 V
Operating time Battery	6 h
Motor type	Stepper motor
Travel speed	1 – 170 cm/min
Slide adjustment, horizontal	± 32 mm
Slide adjustment, vertical	± 40 mm
Adjusting steering arms	± 40 mm
High friction rubber wheel, 4-wheel drive	75 x 20 mm
Operating temperature, max (Carriage)	+80°C
Operating temperature, max (Battery)	+60°C
Operating temperature, max (Wheels)	+150°C
Horizontal tensile force without magnet	12 kg
Horizontal tensile force with magnet	25 kg
Max angle, degree	45°
Vertical tensile force at 45° with magnet	11 kg
Dimensions, L x W x H	310 x 290 x 250 mm
Weight	13 kg

Cable key diagram						
Description	Part Number	Origo Feed 304,484 (M12)	Origo Feed 304,484 (M13)	Aristo Feed 3004,4804 (All panels)	Warrior Feed 304	Universal Feeder
Control Cable	0457360880	●	●	●	●	●
Connection Cable	0457360886		●			
Battery	0457468074					(●)
Remote Adapter Kit	0465451881				●	●
Remote Adapter Kit RA 23 CAN	0459681880			●		
Transformer 230V AC	0457467880					(●)
Transformer 115V AC	0457467882					(●)

# Miggytrac™ B5001

## Ordering Information

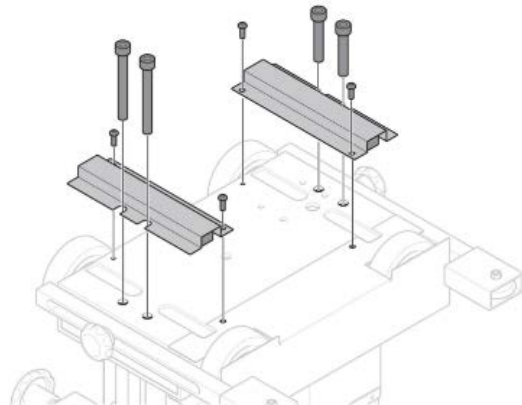
Miggytrac™ B5001 (battery not included)	0459990645
---	------------

## Ordering Information

Control Cable Miggytrac/ Railtrac 5m	0457360880
Connection Cable Universal (only w. 12-pin)	0457360886
Remote Adapter Kit Miggytrac/ Railtrac	0465451881
Remote Adapter Kit RA 23 CAN Miggytrac/ Railtrac	0459681880
Transformer kit 230V AC	0457467880
Transformer kit 115V AC	0457467882
Magnet kit for front and rear	0457357131
Battery + Battery Charger	0457468073
Battery 18V Li-ion, Makita® *	0457468070
Battery Charger 230V AC Makita® *	0457468072

\* Makita® Battery Li-ion BL1840 and Battery Charger DC18RC can be bought locally in hardware store.

A magnet kit can be installed at the bottom of the tractor to further stabilize the movement and increase the friction between the drive wheels and the foundation.



ESAB / [esab.com](http://esab.com)

